

**GORDON**®  
ARCHITECTURAL+ENGINEERED SOLUTIONS

5023 Hazel Jones Rd.  
Bossier City, LA 71111  
800.747.8954  
GORDON-INC.COM  
sales@gordon-inc.com

PRODUCT DIVISION:

**ORNAMENTAL**

PRODUCT DESCRIPTION:

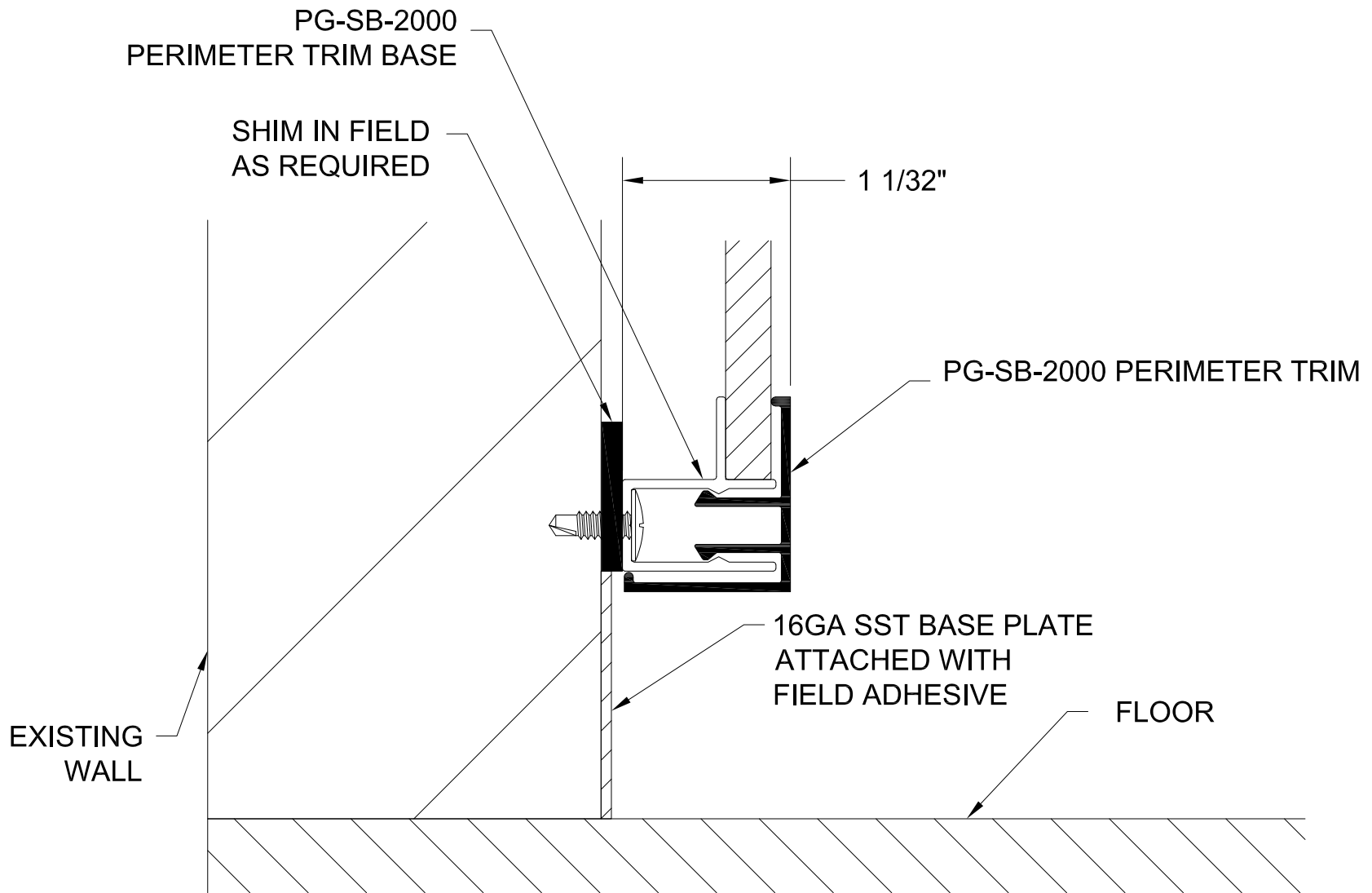
**PG-SB-2000 WALL SYSTEM WITH SOLID BATTEN**

SHEET TITLE:

**TYPICAL WALL SECTION AT BASE**

SCALE:

**6" = 1'0"**



**GORDON**®  
ARCHITECTURAL+ENGINEERED SOLUTIONS

5023 Hazel Jones Rd.  
Bossier City, LA 71111  
800.747.8954  
GORDON-INC.COM  
sales@gordon-inc.com

PRODUCT DIVISION:

**ORNAMENTAL**

PRODUCT DESCRIPTION:

**PG-SB-2000 WALL SYSTEM WITH SOLID BATTEN**

SHEET TITLE:

**WALL SECTION AT BASE PLATE**

SCALE:

**FULL**

PG-SB-2000  
PANEL-TO-PANEL TRIM BASE

SHIM IN FIELD  
AS REQUIRED

PolyVision  
PANEL

9/32" TYP

1 3/16"

PG-SB-2000  
PANEL-TO-PANEL TRIM

1 1/32"

PolyVision  
PANEL

**GORDON**®  
ARCHITECTURAL+ENGINEERED SOLUTIONS

5023 Hazel Jones Rd.  
Bossier City, LA 71111  
800.747.8954  
GORDON-INC.COM  
sales@gordon-inc.com

PRODUCT DIVISION:

**ORNAMENTAL**

PRODUCT DESCRIPTION:

**PG-SB-2000 WALL SYSTEM WITH SOLID BATTEN**

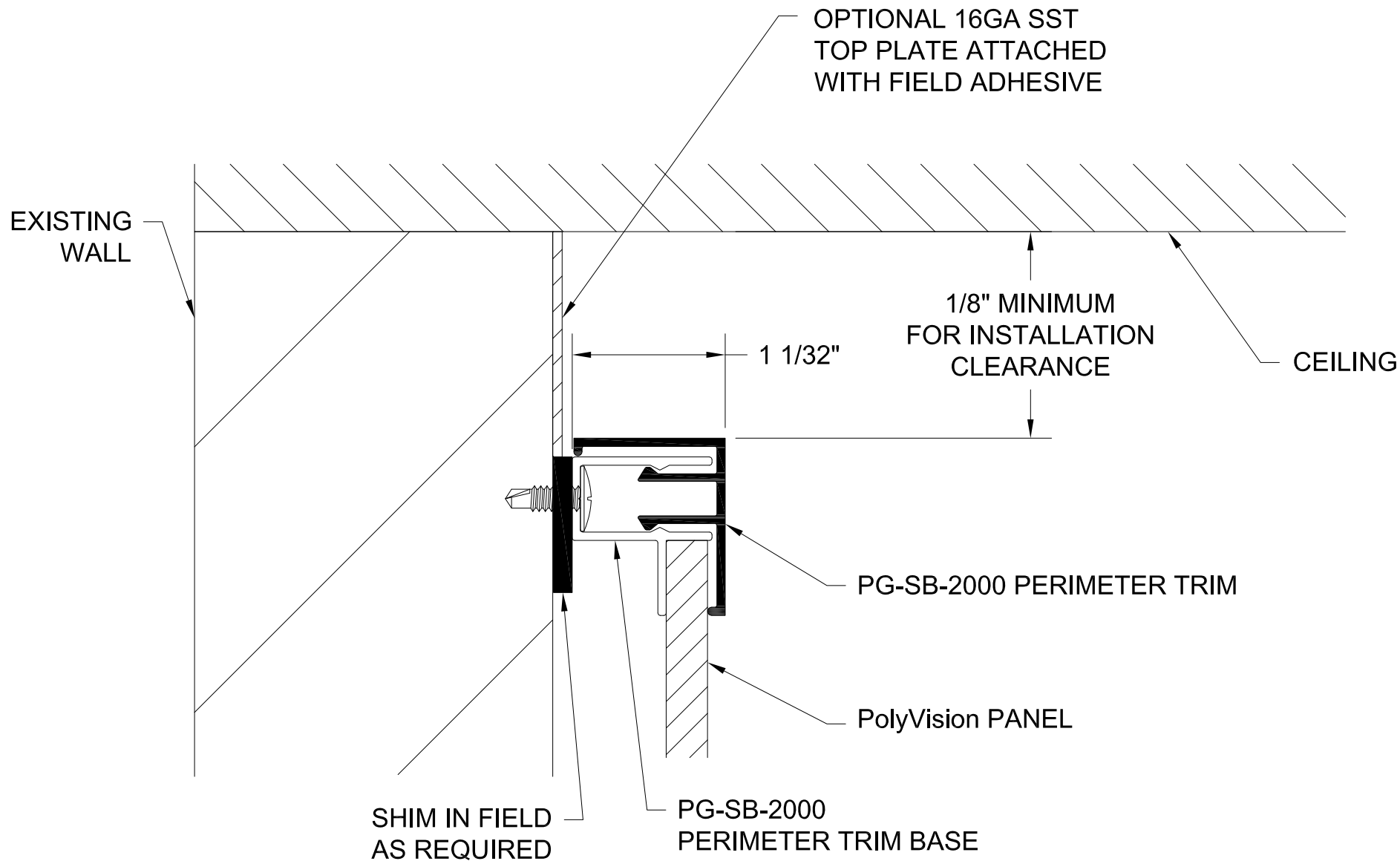
SHEET TITLE:

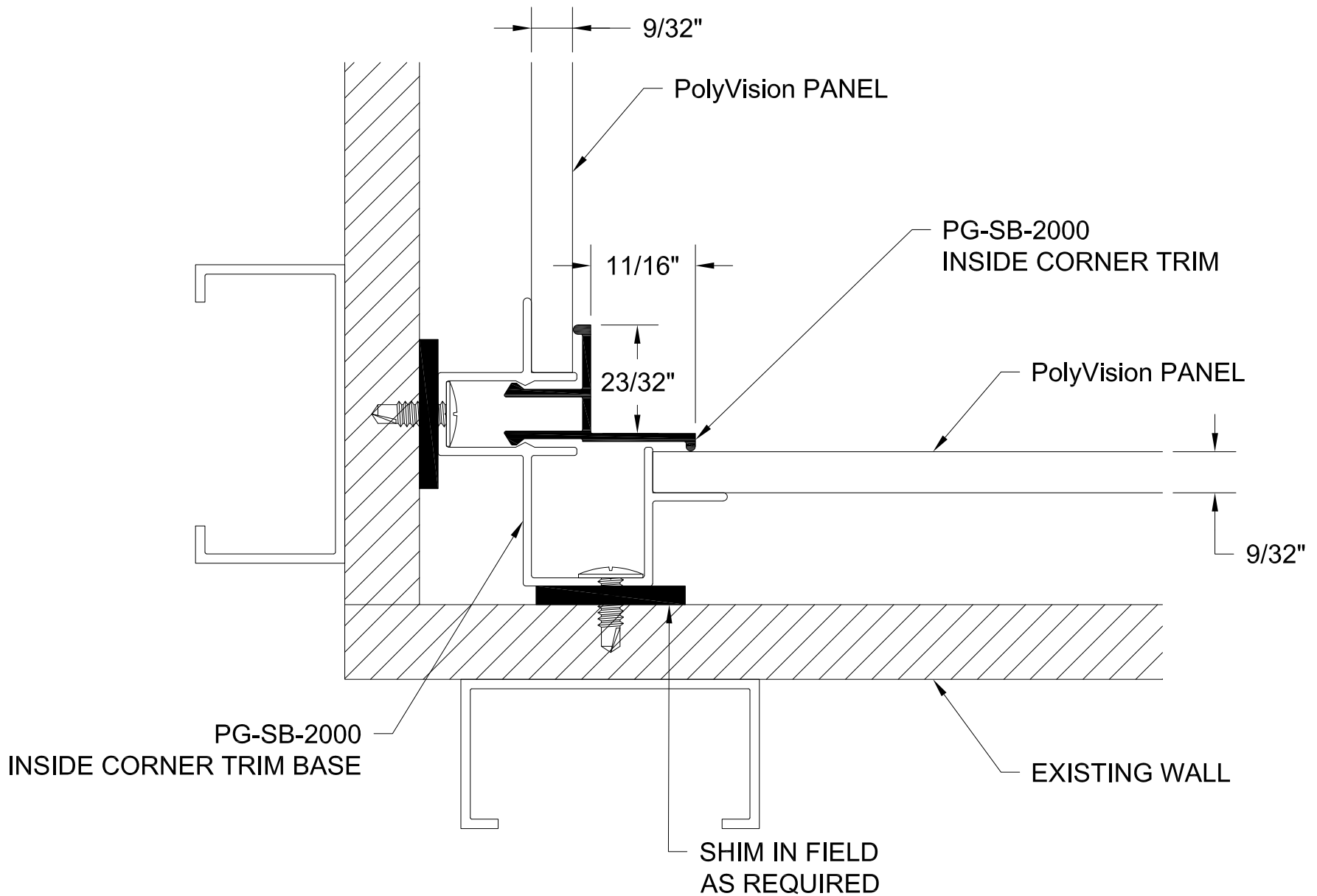
**HORIZONTAL REVEAL SECTION**

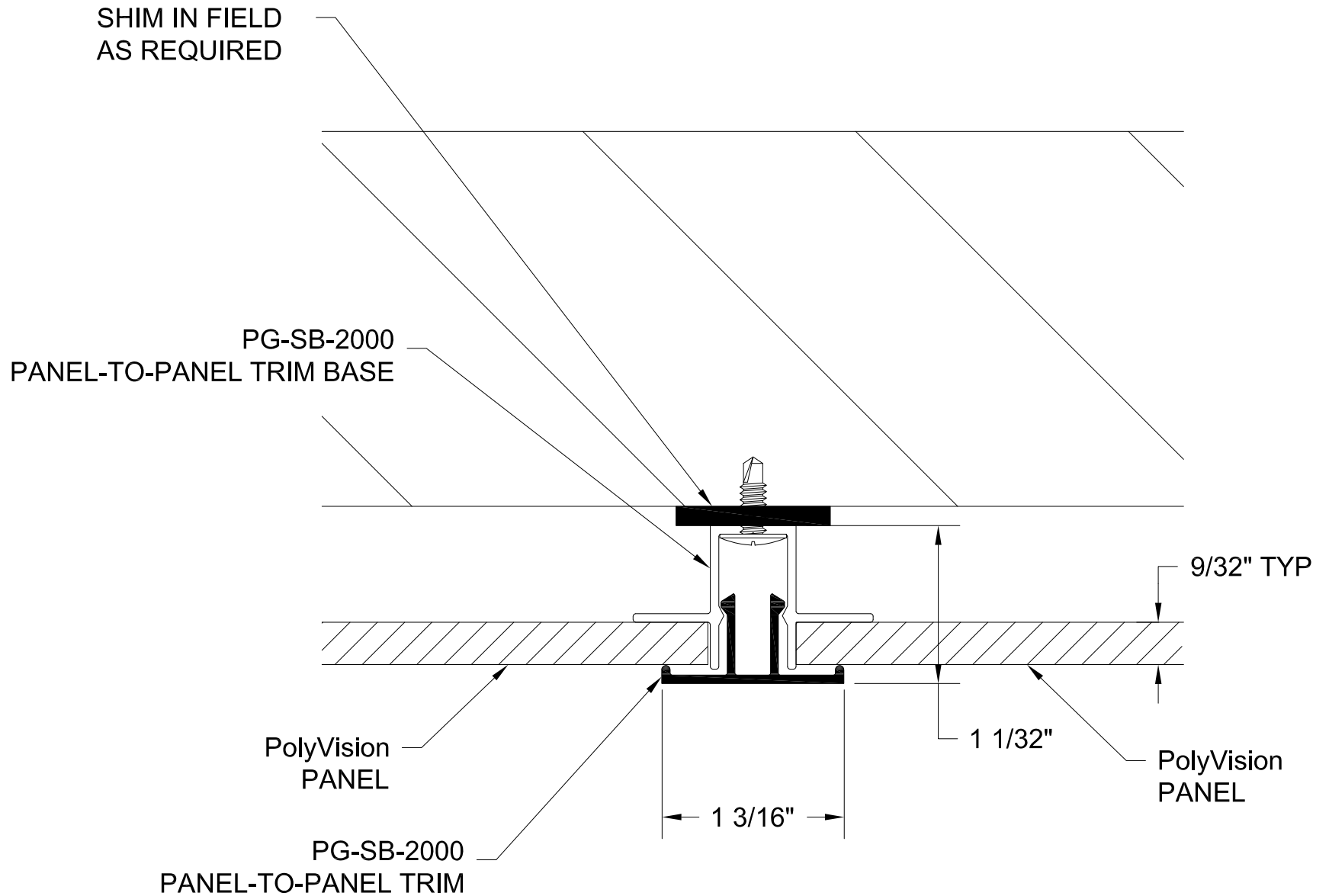
SCALE:

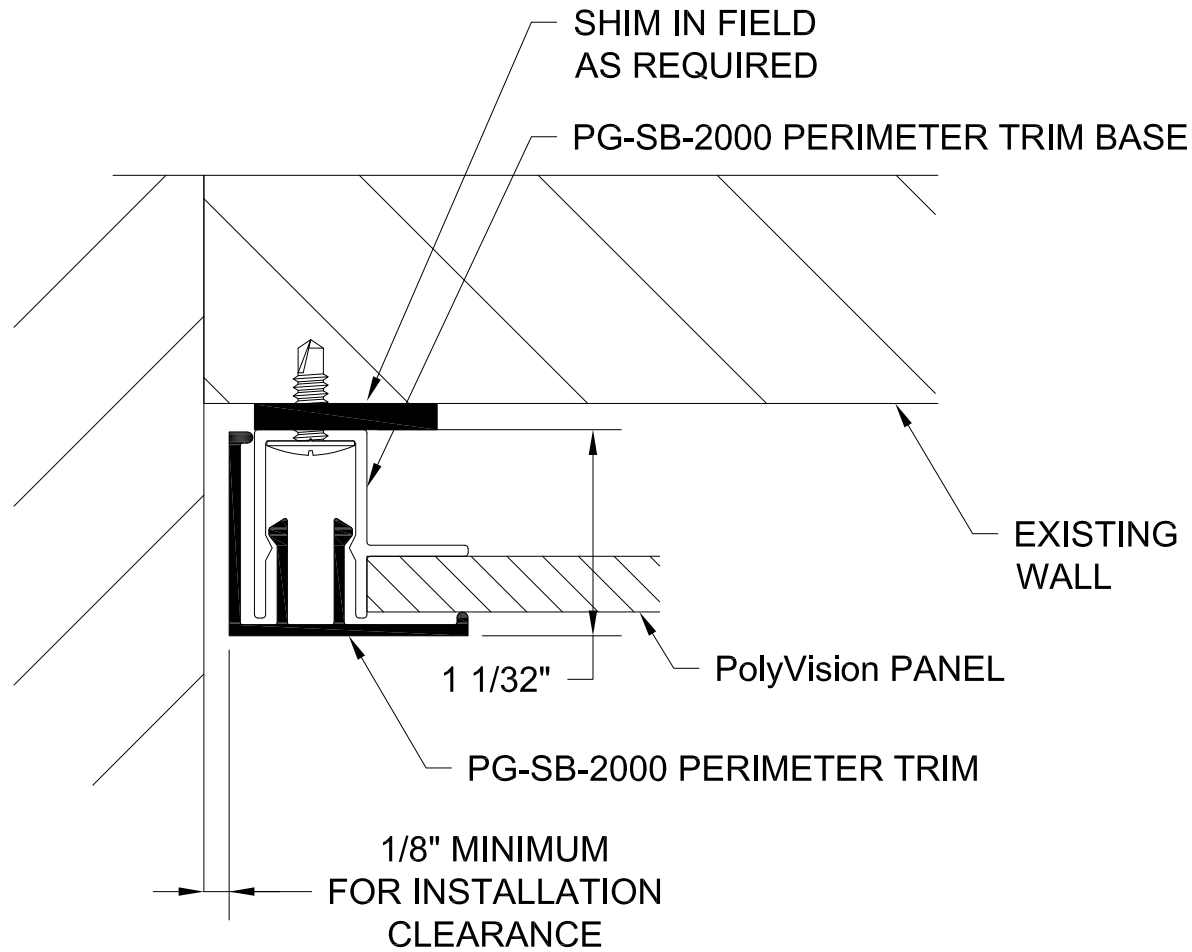
**FULL**











**GORDON**®  
ARCHITECTURAL+ENGINEERED SOLUTIONS

5023 Hazel Jones Rd.  
Bossier City, LA 71111  
800.747.8954  
GORDON-INC.COM  
sales@gordon-inc.com

PRODUCT DIVISION:

**ORNAMENTAL**

PRODUCT DESCRIPTION:

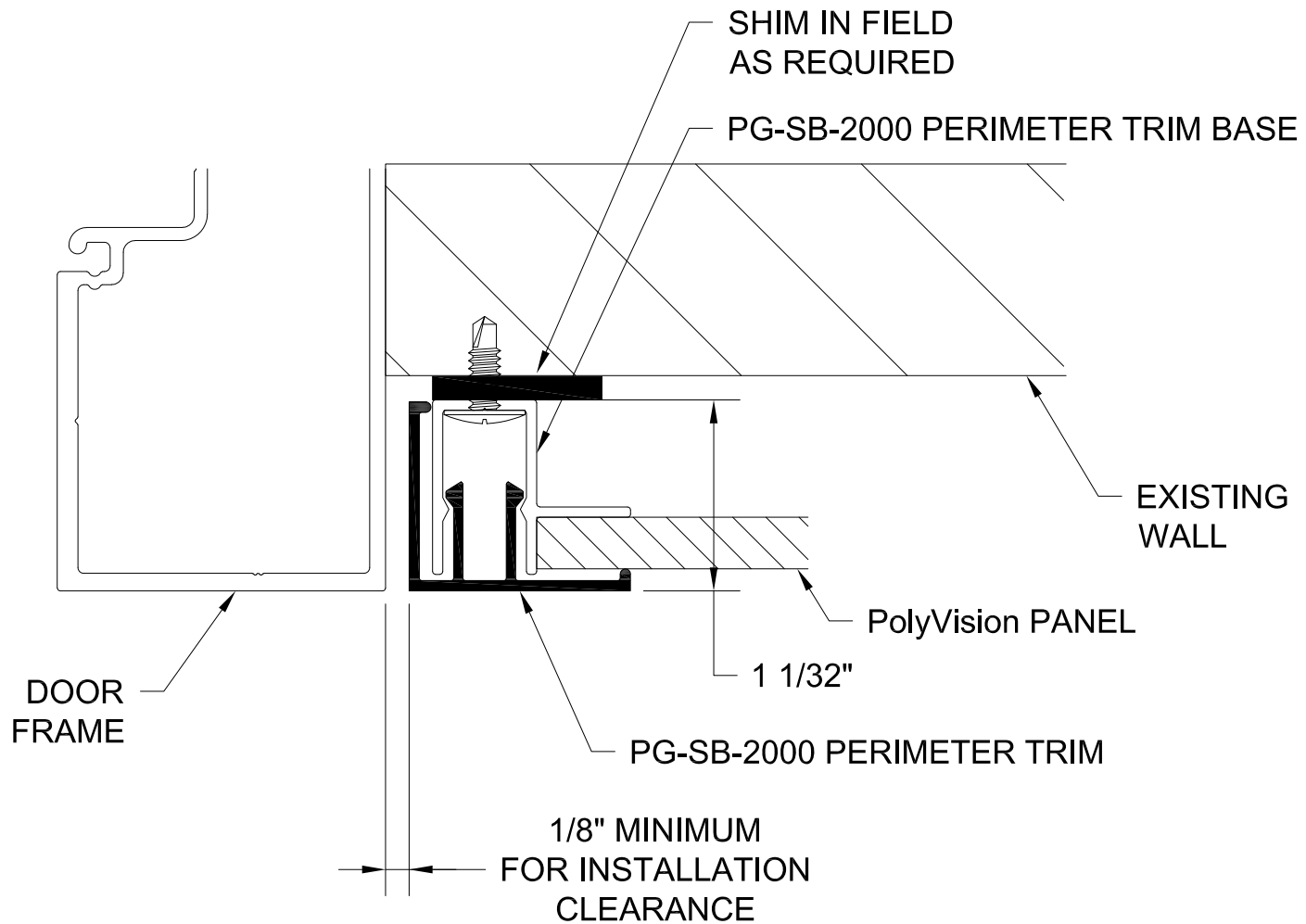
**PG-SB-2000 WALL SYSTEM WITH SOLID BATTEN**

SHEET TITLE:

**WALL TERMINATION SECTION**

SCALE:

**FULL**



**GORDON**®  
ARCHITECTURAL+ENGINEERED SOLUTIONS

5023 Hazel Jones Rd.  
Bossier City, LA 71111  
800.747.8954  
GORDON-INC.COM  
sales@gordon-inc.com

PRODUCT DIVISION:

**ORNAMENTAL**

PRODUCT DESCRIPTION:

**PG-SB-2000 WALL SYSTEM WITH SOLID BATTEN**

SHEET TITLE:

**SECTION AT DOOR FRAME**

SCALE:

**FULL**